

# Entris<sup>®</sup> II – Essential Line



## Benefits

- Highly accurate results—guaranteed via monolithic weigh cell technology invented by Sartorius
- Fastest stabilization time in its class – using state-of-the-art weighing sensors
- High chemical resistance—ensured using parts made from hard-wearing polybutylene terephthalate (PBT), stainless steel and glass

## Product Information

No matter what you're weighing, the new Entris<sup>®</sup> II is always the right choice. Offering unrivaled value at a budget price, this is the only balance in its class featuring isoCAL, LED touch technology and 12 built-in applications. Backed by almost 150 years of German engineering expertise, and available in 40 different models, you'll easily find an Entris<sup>®</sup> II balance that exactly meets your specific weighing needs.

# Technical Specifications

## General Technical Data

Ambient Conditions		Value
Installation site	For indoor use only, max. height above sea level	3000 m
Temperature	Environment (metrological data)* Environment Storage and transport	+10 - +30 °C +5 - +40 °C -10 - +60 °C
Relative humidity**	At temperatures up to 31° C, non-condensing, then linear decrease from max. 80 % at 31° C to max. 50 % at 40° C	15 - 80 %
No heat from heating systems or direct sunlight		
No electromagnetic fields		
Power Supply Device		Value
Input voltage		15 V <sub>DC</sub> (±10 %)
Power consumption, max		4 W
Only by Sartorius power supply unit YEPS01-15V0W with interchangeable country-specific plug-in AC adaptors		
Power Supply Unit		Value
Type: Sartorius power supply unit YEPS01-15V0W		
Primary	Voltage	100 - 240 VAC (±10 %)
	Frequency	50 - 60 Hz
	Current consumption, maximum	0.2 A
Secondary	Voltage	15 VDC (±5 %)
	Current, maximum	0.53 A
Short-circuit protection		Electronic
Protection class according to IEC 60950-1		II
Pollution level according to IEC 61010-1		2
Overvoltage category according to IEC 60664-1		II
Other data: See label on the power supply unit		
Electromagnetic Compatibility		
Interference resistance: Suitable for use in industrial areas		
Transient emissions	Class B Suitable for use in residential areas and areas that are connected to a low voltage network that also supplies residential buildings.	
Materials		
Housing	Polybutylene terephthalate (PBT)	
Control module	Glass	
Draft shield	Glass   polybutylene terephthalate (PBT)	
Weighing pan	Stainless steel	
Warm-up Time		Value
Device, approx		2 h

\* For conformity-assessed (verified) balances in accordance with EU requirements, refer to the information on the balance.

\*\* For conformity-assessed (verified) balances in accordance with EU requirements, the legal regulations apply.

---

## Interfaces

---

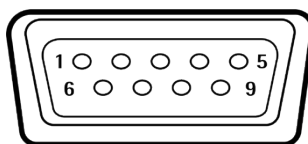
### Specifications of the RS232 Interface

---

Type of interface	Serial interface
Interface operation	Full duplex
Level	RS232
Connection	D-sub connector, 9-pin
<b>Maximum cable length</b>	<b>10 m</b>

---

Pin assignment



- Pin 1: Not assigned
  - Pin 2: Data output (TxD)
  - Pin 3: Data input (RxD)
  - Pin 4: Not assigned
  - Pin 5: Internal ground
  - Pin 6: Not assigned
  - Pin 7: Clear to Send (CTS)
  - Pin 8: Request to Send (RTS)
  - Pin 9: Universal key
- 

### Specifications for the USB-C Interface

---

Communication	USB UTL
Connectable devices	Sartorius printers, Sartorius second display or PC

---

## Calibration

---

Internal calibration isoCAL (models with marking i-1x)

---

External calibration

---

## Selectable Weight Units\*

---

Gram, kilogram, carat, pound, ounce, troy ounce, Hong Kong tael, Singapore tael, Taiwan tael, grain, pennyweights, milligram, parts per pound, China tael, mommes, Austrian carat, tola, baht, mesghal and Newton

---

## Display

---

Intuitive, wear resistant LED screen with touch technology

---

## Built-in Applications

---

- Weighing
  - Counting
  - Percentage weighing
  - Mixing | Net total
  - Components | Totalizing
  - Dosing
  - Animal weighing
  - Calculation | Free factor
  - Density determination
  - Underfloor weighing feature for bigger samples
  - Statistics
  - Peakhold
  - Checkweighing
  - Mass unit conversion
- 

## Languages

---

English, German, France, Italian, Spanish, Portuguese, Russian, Polish

---

## Protection

---

- Chemical resistant housing parts
  - Glass parts of the draft shield are coated to reduce electrostatic influences
  - Display foil (available as accessory)
  - Dust cover for balances with draft shield
- 

## Anti-theft Lock

---

Kensington lock and lockdown capability for cable or chain

---

\* The availability of units depends on national legislation and is therefore country-specific.

# Models with internal adjustment feature

Model	Unit	224i-1x <sup>1</sup>	124i-1x <sup>1</sup>	64i-1x <sup>1</sup>	653i-1x <sup>1</sup>	623i-1x <sup>1</sup>	423i-1x <sup>1</sup>	323i-1x <sup>1</sup>	223i-1x <sup>1</sup>
Readability   Scale interval (d)	mg	0.1	0.1	0.1	1	1	1	1	1
Maximum capacity (Max)	g	220	120	60	650	620	420	320	220
Weighing system		EMC	EMC	EMC	EMC	EMC	EMC	EMC	EMC
<b>Repeatability</b>									
At 5% load, typical value	±mg	0.08	0.08	0.08	0.5	0.5	0.5	0.5	0.5
At approx. maximum load, typical value	±mg	0.1	0.1	0.1	1	1	1	1	1
<b>Linearity deviation</b>									
Limits	±mg	0.2	0.2	0.2	2	2	2	2	2
Typical value	±mg	0.06	0.06	0.06	0.6	0.6	0.6	0.6	0.6
Sensitivity drift between +10 °C and +30 °C	±ppm/K	1.5	1.5	1.5	2	2	2	2	2
Tare maximum capacity (subtractive)		<100% of maximum capacity							
<b>isoCAL (only for i-1x models):</b>									
Temperature change	K	1.5	1.5	1.5	2	2	2	2	2
Time interval	h	4	4	4	6	6	6	6	6
<b>For models with approval:</b>									
Accuracy class		I	I	I	II	II	II	II	II
Type		BC-EB	BC-EB	BC-EB	BC-ED	BC-ED	BC-ED	BC-ED	BC-ED
Verification scale interval (e)	mg	1	1	1	10	10	10	10	10
Minimum load (Min)	mg	10	10	10	20	20	20	20	20
<b>Minimum initial weighing according to USP (United States Pharmacopeia), Chap. 41</b>									
Optimum minimum initial weighing	g	0.082	0.082	0.082	0.82	0.82	0.82	0.82	0.82
Typical minimum initial weighing	g	0.16	0.16	0.16	1	1	1	1	1
Typical measurement time	s	≤ 2.0	≤ 2.0	≤ 2.0	≤ 1.5	≤ 1.5	≤ 1.5	≤ 1.5	≤ 1.5
Typical stabilization time	s	≤ 1.5	≤ 1.5	≤ 1.5	≤ 1.0	≤ 1.0	≤ 1.0	≤ 1.0	≤ 1.0
<b>Recommended calibration weight</b>									
External calibrated test weight	g	200	100	50	500	500	200	200	200
Accuracy class in accordance with OIML R111-1		E2	E2	E2	F1	F1	F1	F1	F1
Weighing pan size	mm	Ø 90	Ø 90	Ø 90	Ø 120	Ø 120	Ø 120	Ø 120	Ø 120
Weighing chamber height*	mm	240	240	240	50	240	240	240	240
Net weight, approx.	kg	6.20	6.20	6.20	4.80	6.30	6.30	6.30	6.30
Gross weight, approx.	kg	8.00	8.00	8.00	6.20	8.10	8.10	8.10	8.10

\* upper edge of the weighing pan to the lower edge of the upper draft shield panel

**1 Country-specific marking in model:**

**x = S: Standard balances without country-specific additions**

- x = SAR: Standard balances with country-specific additions for Argentina
- x = SJP: Standard balances with country-specific additions for Japan
- x = SKR: Standard balances with country-specific additions for South Korea
- x = CCN: Balances with approval for China
- x = CEU: Conformity-assessed balances with EU type examination certificate without country-specific additions

x = CFR: Conformity-assessed balances with EU type examination certificate only for France

- x = OBR: Balances with approval for Brazil
- x = OIN: Balances with approval for India
- x = OJP: Balances with approval for Japan
- x = ORU: Balances with approval for Russia

6202i-1x <sup>1</sup>	4202i-1x <sup>1</sup>	3202i-1x <sup>1</sup>	2202i-1x <sup>1</sup>	1202i-1x <sup>1</sup>	822i-1x <sup>1</sup>	622i-1x <sup>1</sup>	8201i-1x <sup>1</sup>	5201i-1x <sup>1</sup>	2201i-1x <sup>1</sup>	8200i-1x <sup>1</sup>	6200i-1x <sup>1</sup>
10	10	10	10	10	10	10	100	100	100	1,000	1,000
6,200	4,200	3,200	2,200	1,200	820	620	8,200	5,200	2,200	8,200	6,200
EMC	EMC	EMC	EMC	EMC	EMC	EMC	EMC	EMC	EMC	EMC	EMC
5	5	5	5	5	5	5	50	50	50	500	500
10	10	10	10	10	10	10	100	100	100	1,000	1,000
20	20	20	20	20	20	20	100	100	100	1,000	1,000
6	6	6	6	6	6	6	60	60	60	600	600
2	2	2	2	2	2	2	4	2	2	4	4
<100% of maximum capacity											
2	2	2	2	2	2	2	2	2	2	2	2
6	6	6	6	6	6	6	6	6	6	6	6
II	II	II	II	II	II	II	II	II	II	II	II
BC-EE	BC-EE	BC-EE	BC-EE	BC-EE	BC-EE	BC-EE	BC-EG	BC-EE	BC-EE	BC-EG	BC-EG
100	100	100	100	100	100	100	1,000	100	100	1,000	1,000
500	500	500	500	500	500	500	5,000	5,000	5,000	50,000	50,000
8.2	8.2	8.2	8.2	8.2	8.2	8.2	82	82	82	820	820
10	10	10	10	10	10	10	100	100	100	1,000	1,000
≤1.0	≤1.0	≤1.0	≤1.0	≤1.0	≤1.0	≤1.0	≤1.0	≤1.0	≤1.0	≤1.0	≤1.0
≤0.9	≤0.9	≤0.9	≤0.9	≤0.9	≤0.9	≤0.9	≤0.9	≤0.9	≤0.9	≤0.9	≤0.9
5,000	2,000	2,000	2,000	1,000	500	500	5,000	5,000	2,000	5,000	5,000
F1	F1	F1	F1	F1	F2	F2	F2	F2	F2	F2	F2
182 × 182	182 × 182	182 × 182	182 × 182	182 × 182	182 × 182	182 × 182	182 × 182	182 × 182	182 × 182	182 × 182	182 × 182
-	-	-	-	-	-	-	-	-	-	-	-
6.20	6.20	6.20	6.20	6.20	6.20	6.20	6.20	6.20	6.20	6.20	6.20
7.00	7.00	7.00	7.00	7.00	7.00	7.00	7.00	7.00	7.00	7.00	7.00

## Models without internal adjustment feature, with approval

Model	Unit	224-1x <sup>1</sup>	124-1x <sup>1</sup>	64-1x <sup>1</sup>	653-1x <sup>1</sup>	623-1x <sup>1</sup>	423-1x <sup>1</sup>	323-1x <sup>1</sup>	223-1x <sup>1</sup>
Readability   Scale interval (d)	mg	0.1	0.1	0.1	1	1	1	1	1
Maximum capacity (Max)	g	220	120	60	650	620	420	320	220
Weighing system		EMC	EMC	EMC	EMC	EMC	EMC	EMC	EMC
<b>Repeatability</b>									
At 5% load, typical value	±mg	0.08	0.08	0.08	0.5	0.5	0.5	0.5	0.5
At approx. maximum load, typical value	±mg	0.1	0.1	0.1	1	1	1	1	1
<b>Linearity deviation</b>									
Limits	±mg	0.2	0.2	0.2	2	2	2	2	2
Typical value	±mg	0.06	0.06	0.06	0.6	0.6	0.6	0.6	0.6
Sensitivity drift between +10 °C and +30 °C	±ppm/K	1.5	1.5	1.5	2	2	2	2	2
Tare maximum capacity (subtractive)		<100% of maximum capacity							
<b>For models with approval:</b>									
Accuracy class		I	I	I	II	II	II	II	II
Type		BC-EB	BC-EB	BC-EB	BC-ED	BC-ED	BC-ED	BC-ED	BC-ED
Verification scale interval (e)	mg	1	1	1	10	10	10	10	10
Minimum load (Min)	mg	10	10	10	20	20	20	20	20
<b>Minimum initial weighing according to USP (United States Pharmacopeia), Chap. 41</b>									
Optimum minimum initial weighing	g	0.082	0.082	0.082	0.82	0.82	0.82	0.82	0.82
Typical minimum initial weighing	g	0.16	0.16	0.16	1	1	1	1	1
Typical measurement time	s	≤2.0	≤2.0	≤2.0	≤1.5	≤1.5	≤1.5	≤1.5	≤1.5
Typical stabilization time	s	≤1.5	≤1.5	≤1.5	≤1.0	≤1.0	≤1.0	≤1.0	≤1.0
<b>Recommended calibration weight</b>									
External calibrated test weight	g	200	100	50	500	500	200	200	200
Accuracy class in accordance with OIML R111-1		E2	E2	E2	F1	F1	F1	F1	F1
Weighing pan size	mm	Ø 90	Ø 90	Ø 90	Ø 120	Ø 120	Ø 120	Ø 120	Ø 120
Weighing chamber height*	mm	240	240	240	50	240	240	240	240
Net weight, approx.	kg	5.90	5.90	5.90	4.50	5.90	5.90	5.90	5.90
Gross weight, approx.	kg	7.70	7.70	7.70	5.80	7.70	7.70	7.70	7.70

\* upper edge of the weighing pan to the lower edge of the upper draft shield panel

<sup>1</sup> Country-specific marking in model:  
x = CCN: Balances with approval for China  
x = OIN: Balances with approval for India

6202-1x <sup>1</sup>	4202-1x <sup>1</sup>	3202-1x <sup>1</sup>	2202-1x <sup>1</sup>	1202-1x <sup>1</sup>	822-1x <sup>1</sup>	622-1x <sup>1</sup>	8201-1x <sup>1</sup>	5201-1x <sup>1</sup>	2201-1x <sup>1</sup>	8200-1x <sup>1</sup>	6200-1x <sup>1</sup>
10	10	10	10	10	10	10	100	100	100	1,000	1,000
6,200	4,200	3,200	2,200	1,200	820	620	8,200	5,200	2,200	8,200	6,200
EMC	EMC	EMC	EMC	EMC	EMC	EMC	Strain gauge	EMC	EMC	Strain gauge	Strain gauge
5	5	5	5	5	5	5	50	50	50	500	500
10	10	10	10	10	10	10	100	100	100	1,000	1,000
20	20	20	20	20	20	20	300	100	100	1,000	1,000
6	6	6	6	6	6	6	100	60	60	600	600
2	2	2	2	2	2	2	7	2	2	7	7
<100% of maximum capacity											
II	II	II	II	II	II	II	II	II	II	II	II
BC-EE	BC-EE	BC-EE	BC-EE	BC-EE	BC-EE	BC-EE	BC-EI	BC-EE	BC-EE	BC-EI	BC-EI
100	100	100	100	100	100	100	1,000	100	100	1,000	1,000
500	500	500	500	500	500	500	5,000	5,000	5,000	50,000	50,000
8.2	8.2	8.2	8.2	8.2	8.2	8.2	82	82	82	820	820
10	10	10	10	10	10	10	100	100	100	1,000	1,000
≤1.0	≤1.0	≤1.0	≤1.0	≤1.0	≤1.0	≤1.0	≤1.0	≤1.0	≤1.0	≤1.0	≤1.0
≤0.9	≤0.9	≤0.9	≤0.9	≤0.9	≤0.9	≤0.9	≤0.9	≤0.9	≤0.9	≤0.9	≤0.9
5,000	2,000	2,000	2,000	1,000	500	500	5,000	5,000	2,000	5,000	5,000
F1	F1	F1	F1	F1	F2	F2	F2	F2	F2	F2	F2
182 × 182	182 × 182	182 × 182	182 × 182	182 × 182	182 × 182	182 × 182	182 × 182	182 × 182	182 × 182	182 × 182	182 × 182
-	-	-	-	-	-	-	-	-	-	-	-
4.60	4.60	4.60	4.60	4.60	4.60	4.60	4.30	4.60	4.60	4.30	4.30
5.40	5.40	5.40	5.40	5.40	5.40	5.40	5.10	5.40	5.40	5.10	5.10

## Models without internal adjustment feature, without approval

Model	Unit	224-1x <sup>1</sup>	124-1x <sup>1</sup>	64-1x <sup>1</sup>	653-1x <sup>1</sup>	623-1x <sup>1</sup>	423-1x <sup>1</sup>	323-1x <sup>1</sup>	223-1x <sup>1</sup>
Readability   Scale interval (d)	mg	0.1	0.1	0.1	1	1	1	1	1
Maximum capacity (Max)	g	220	120	60	650	620	420	320	220
Weighing system		EMC	EMC	EMC	EMC	EMC	EMC	EMC	EMC
<b>Repeatability</b>									
At 5% load, typical value	±mg	0.08	0.08	0.08	0.5	0.5	0.5	0.5	0.5
At approx. maximum load, typical value	±mg	0.1	0.1	0.1	1	1	1	1	1
<b>Linearity deviation</b>									
Limits	±mg	0.2	0.2	0.2	2	2	2	2	2
Typical value	±mg	0.06	0.06	0.06	0.6	0.6	0.6	0.6	0.6
Sensitivity drift between +10 °C and +30 °C	±ppm/K	1.5	1.5	1.5	2	2	2	2	2
Tare maximum capacity (subtractive)		<100% of maximum capacity							
<b>Minimum initial weighing according to USP (United States Pharmacopeia), Chap. 41</b>									
Optimum minimum initial weighing	g	0.082	0.082	0.082	0.82	0.82	0.82	0.82	0.82
Typical minimum initial weighing	g	0.16	0.16	0.16	1	1	1	1	1
Typical measurement time	s	≤2.0	≤2.0	≤2.0	≤1.5	≤1.5	≤1.5	≤1.5	≤1.5
Typical stabilization time	s	≤1.5	≤1.5	≤1.5	≤1.0	≤1.0	≤1.0	≤1.0	≤1.0
<b>Recommended calibration weight</b>									
External calibrated test weight	g	200	100	50	500	500	200	200	200
Accuracy class in accordance with OIML R111-1		E2	E2	E2	F1	F1	F1	F1	F1
Weighing pan size	mm	Ø 90	Ø 90	Ø 90	Ø 120	Ø 120	Ø 120	Ø 120	Ø 120
Weighing chamber height*	mm	240	240	240	50	240	240	240	240
Net weight, approx.	kg	5.90	5.90	5.90	4.50	5.90	5.90	5.90	5.90
Gross weight, approx.	kg	7.70	7.70	7.70	5.80	7.70	7.70	7.70	7.70

\* upper edge of the weighing pan to the lower edge of the upper draft shield panel

<sup>1</sup> Country-specific marking in model:

x = S: Standard balances without country-specific additions

x = SAR: Standard balances with country-specific additions for Argentina

x = SJP: Standard balances with country-specific additions for Japan

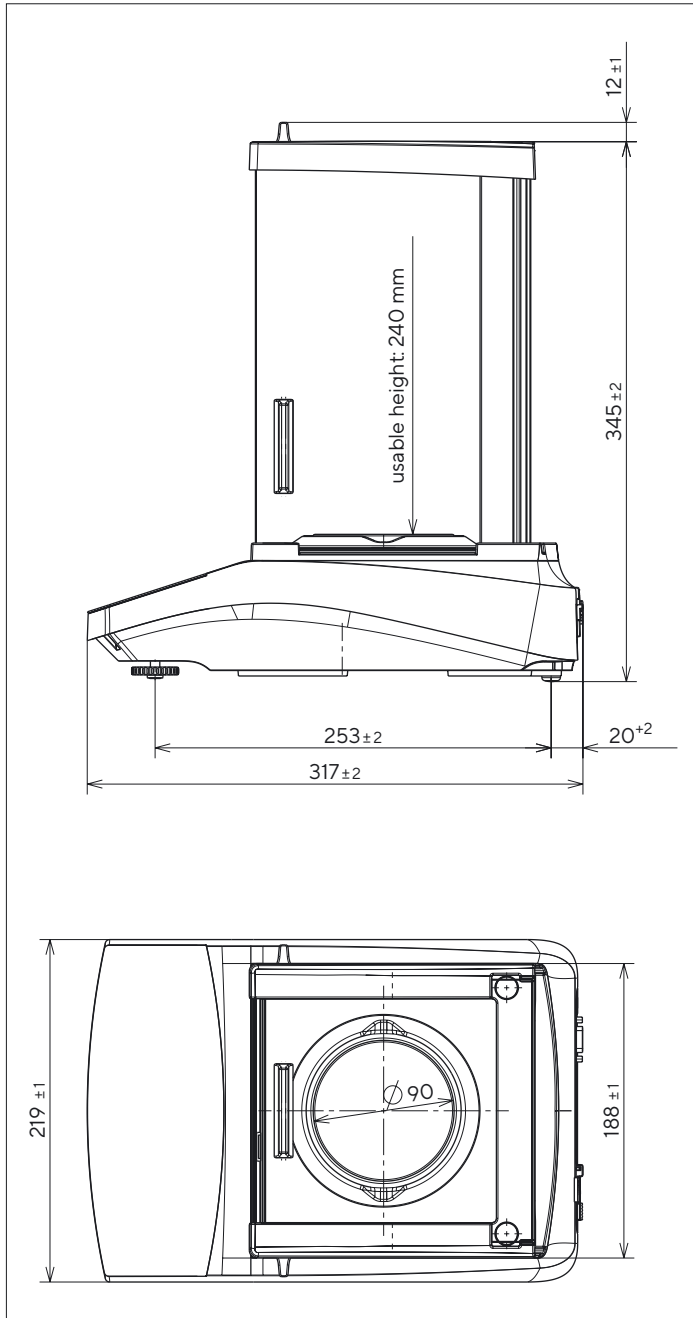
x = SKR: Standard balances with country-specific additions for South Korea



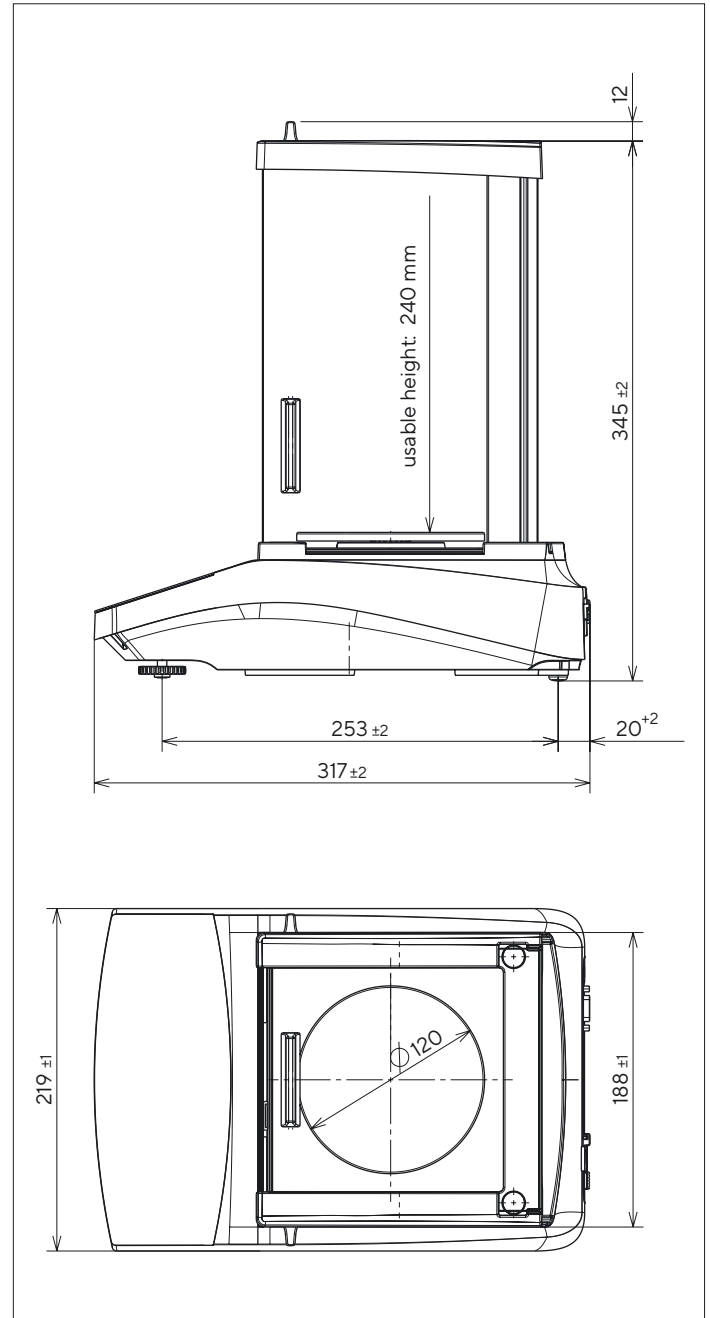
6202-1x <sup>1</sup>	4202-1x <sup>1</sup>	3202-1x <sup>1</sup>	2202-1x <sup>1</sup>	1202-1x <sup>1</sup>	822-1x <sup>1</sup>	622-1x <sup>1</sup>	8201-1x <sup>1</sup>	5201-1x <sup>1</sup>	2201-1x <sup>1</sup>	8200-1x <sup>1</sup>	6200-1x <sup>1</sup>
10	10	10	10	10	10	10	100	100	100	1,000	1,000
6,200	4,200	3,200	2,200	1,200	820	620	8,200	5,200	2,200	8,200	6,200
EMC	EMC	EMC	Strain gauge	Strain gauge	Strain gauge	Strain gauge	Strain gauge	Strain gauge	Strain gauge	Strain gauge	Strain gauge
5	5	5	5	5	5	5	50	50	50	500	500
10	10	10	10	10	10	10	100	100	100	1,000	1,000
20	20	20	20	20	20	20	300	300	300	1,000	1,000
6	6	6	6	6	6	6	100	100	100	600	600
2	2	2	3.5	3.5	3.5	3.5	7	7	7	7	7
<100% of maximum capacity											
8.2	8.2	8.2	8.2	8.2	8.2	8.2	82	82	82	820	820
10	10	10	10	10	10	10	100	100	100	1,000	1,000
≤1.0	≤1.0	≤1.0	≤1.0	≤1.0	≤1.0	≤1.0	≤1.0	≤1.0	≤1.0	≤1.0	≤1.0
≤0.9	≤0.9	≤0.9	≤0.9	≤0.9	≤0.9	≤0.9	≤0.9	≤0.9	≤0.9	≤0.9	≤0.9
5,000	2,000	2,000	2,000	1,000	500	500	5,000	5,000	2,000	5,000	5,000
F1	F1	F1	F1	F1	F2	F2	F2	F2	F2	F2	F2
182 × 182	182 × 182	182 × 182	182 × 182	182 × 182	182 × 182	182 × 182	182 × 182	182 × 182	182 × 182	182 × 182	182 × 182
-	-	-	-	-	-	-	-	-	-	-	-
4.60	4.60	4.60	4.30	4.30	4.30	4.30	4.30	4.30	4.30	4.30	4.30
5.10	5.10	5.10	5.10	5.10	5.10	5.10	5.10	5.10	5.10	5.10	5.10

# Technical Drawings

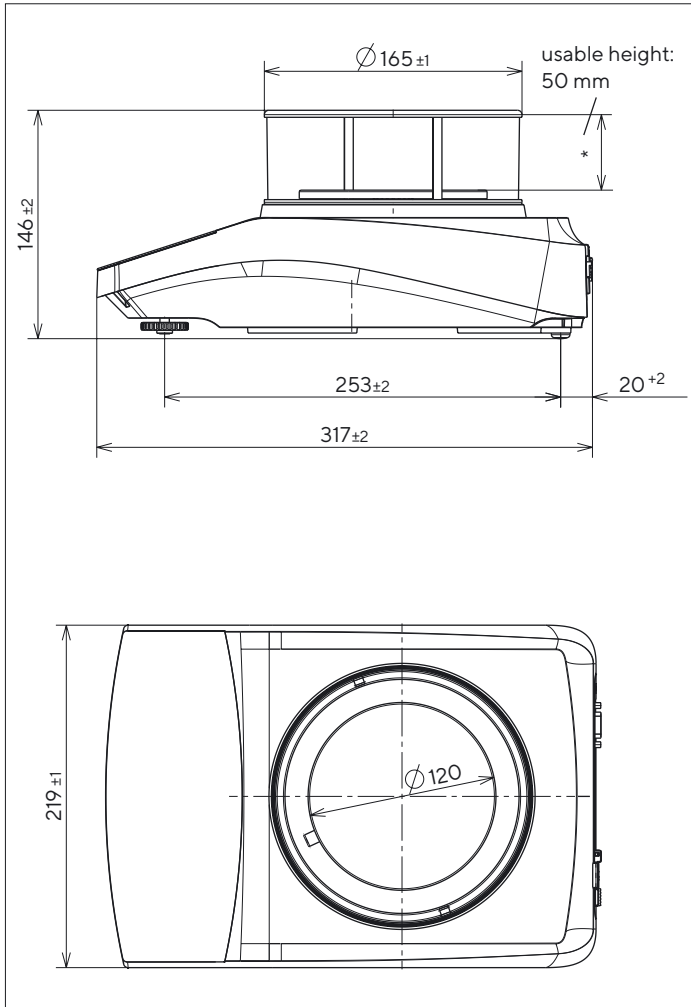
Models with a readability of 0.1 mg  
All dimensions are given in millimeters



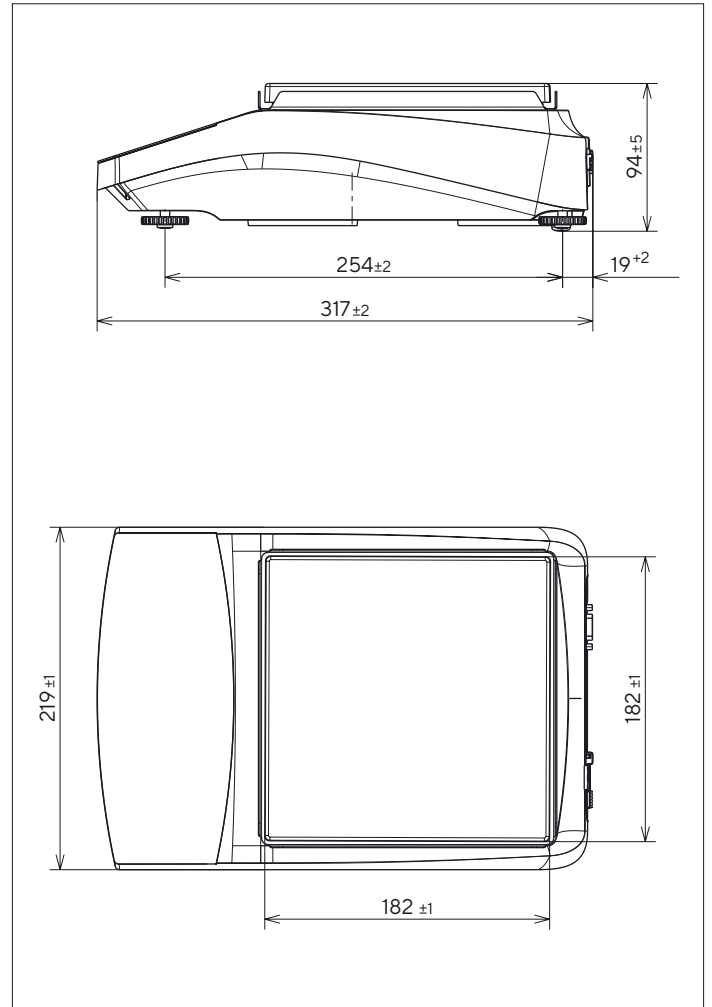
Models with a readability of 1 mg  
All dimensions are given in millimeters



Models with a readability of 1 mg, with round glass shield  
All dimensions are given in millimeters



Models with a readability of  $\geq 10$  mg  
All dimensions are given in millimeters



# Accessories

These tables contain an excerpt of the accessories that can be ordered. For information on other products, contact Sartorius.

## Balance Accessories

Item	Quantity	Order number
Display protection film (set of 5)	1	YDC10
Shield disk for balances with a readability of 0.1 mg	1	YSP02
Dust cover for balances with an analytical draft shield	1	6960BC01
Density determination set for solids and liquids for balances with a readability of 0.1 mg   1 mg	1	YDK03
"Kensington Lock" anti-theft device	1	YKL01
Pedal button   foot switch	1	YFS03
Second display   remote display	1	YSD01
<b>Below-balance weighing (not for models in legal metrology)</b>		
Hook M5	1	69EA0039
<b>Weighing table</b>		
Made from wood with natural stone	1	YWT09
Made from natural stone, with vibration dampening	1	YWT03
Wall console made from natural stone	1	YWT04

## Printer and Accessories for Data Communication

Item	Quantity	Order number
Thermal printer (USB-B)	1	YDP40
Thermal transfer printer (USB-B, RS232)	1	YDP30
Dot matrix printer (RS232)	1	YDP20-0CE
Data cable USB-C > USB-B	1.5 m	YCC-USB-C-B
Data cable USB-C > USB-A	1.5 m	YCC-USB-C-A
Data cable RS232 (9-pin) > USB-A	1.5 m	YCC-D09M-USB-A
Data cable RS232 (9-pin) male > RS232 (9-pin) male	1.5 m	YCC-D09MM
Data cable RS232 (9-pin) male > RS232 (9-pin) female	1.5 m	YCC-D09MF
Y-adapter RS232 (9-pin) male > 2x RS232 (9-pin) female	1.5 m	YCC-D09M-2D09F

## External Calibration and Adjustment Weights

BCE model	Weight	Accuracy class	Quantity	Order number
224	200 g	E2	1	YCW522-AC-02
124	100 g	E2	1	YCW512-AC-02
64	50 g	E2	1	YCW452-AC-02
653   623	500 g	F1	1	YCW553-AC-02
423   323   223	200 g	F1	1	YCW523-AC-02
6202	5,000 g	F1	1	YCW653-AC-02
4202   3202   2202	2,000 g	F1	1	YCW623-AC-02
1202	1,000 g	F1	1	YCW613-AC-02
822   622	500 g	F2	1	YCW554-AC-02
8201   5201	5,000 g	F2	1	YCW654-AC-02
2201	2,000 g	F2	1	YCW624-AC-02
8200   6200	5,000 g	F2	1	YCW654-AC-02

# Sales and Service Contacts

For further contacts, visit  
[www.sartorius.com](http://www.sartorius.com)

## **Germany**

Sartorius Lab Instruments GmbH & Co. KG  
Otto-Brenner-Strasse 20  
37079 Goettingen  
Phone +49 551 308 0

## **U.K.**

Sartorius UK Ltd.  
Longmead Business Centre  
Blenheim Road, Epsom  
Surrey KT19 9QQ  
Phone +44 1372 737159