

SPLE...

Single point load cell module

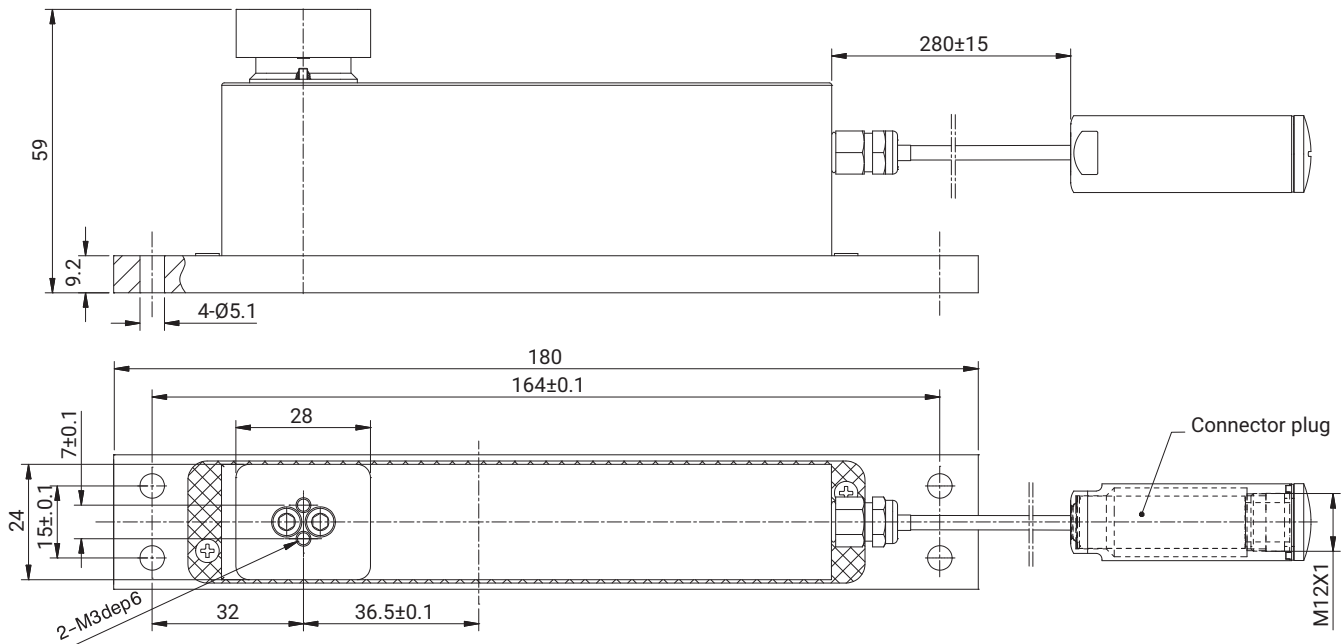
SPECIAL FEATURES

- Optimized for dynamic weighing tasks
- Slim design fits multi-channel installation
- Integrated overload protection
- Connector plug M12



DIMENSIONS

Dimensions in mm



SPECIFICATIONS

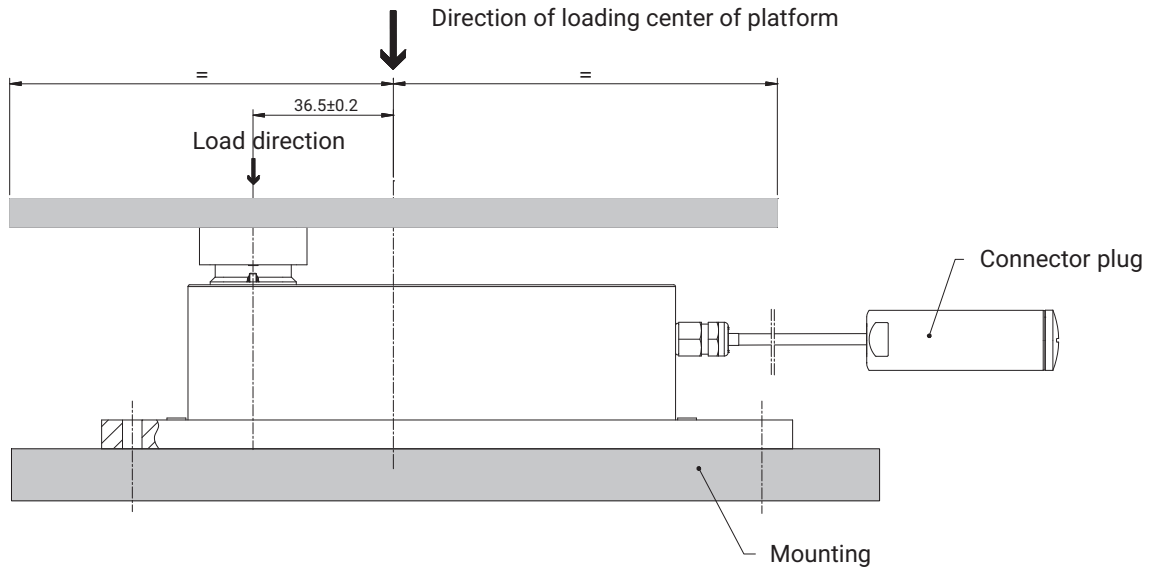
Type			SPLE...		
Maximum capacity	E_{max}		300 g	600 g	1.5 kg
Minimum load cell verification interval	V_{min}	g	0.05	0.1	0.25
Ratio of minimum verification interval	Y		6000	6000	6000
Temperature coefficient of the zero signal per 10 K	TC_0	% of C_n	±0.0150		
Maximum platform size	mm		200x200		
Rated output (nominal)	C_n	mV/V	1.0±10%		
Zero signal (without initial load)			0.04±0.06		
Temperature coefficient of sensitivity per 10 K ¹⁾ in the temperature range +20 ... +40°C -10 ... +20°C	TC_S	% of C_n	±0.0175 ±0.0117		
Relative reversibility error ¹⁾	d_{hy}	% of C_n	±0.0150		
Non-linearity ¹⁾	d_{lin}		±0.0150		
Minimum dead load output return	MDLOR		-0.0100±0.0233		
Off-center load error ²⁾	d_{cr}		±0.02		
Input resistance	R_{LC}	Ω	380±38		
Output resistance	R_0		380±38		
Reference excitation voltage	U_{ref}	V	5		
Nominal (rated) range of the excitation voltage	B_U		1...12		
Maximum excitation voltage			15		
Insulation resistance at 100 V _{DC}	R_{is}	GΩ	2		
Nominal (rated) range of the ambient temperature	B_T	°C	-10...+40		
Operating temperature range	B_{tu}		-10...+50		
Storage temperature range	B_{tl}		-25...+70		
Limit load at 20 mm eccentricity	E_L	% of E_{max}	120		
Limit lateral loading, static	E_{lq}		300		
Breaking load at max. 20 mm eccentricity	E_d		1000		
Permissible oscillation stress at max. 20 mm eccentricity	F_{srel}		70		
Rated displacement at E_{max} ³⁾	s_{nom}		mm	<0.5	
Weight, approx.	m	kg	0.5		
Material			Aluminum Stainless Steel		
Measuring body					
Housing					

1) The values for non-linearity (d_{lin}), relative reversibility error (d_{hy}) and temperature coefficient of sensitivity (TCS) are recommended values. If these values are added together, the total is within the accumulated error limit laid down by OIML R60.

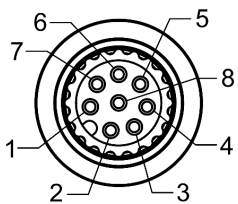
2) As per OIML R76

3) Loading with E_{max} and center of gravity in center of load cell.

INSTALLATION ADVICE



CONNECTOR PIN ASSIGNMENT



- 1 = measurement signal (+)
- 2 = not in use
- 3 = sense lead (+)
- 4 = not in use
- 5 = sense lead (-)
- 6 = excitation voltage (-)
- 7 = excitation voltage (+)
- 8 = measurement signal (-)

PRODUCT NUMBER SPLE...

Maximum capacity	Ordering number
300 g	1-SPLE/300G-1
600 g	1-SPLE/600G-1
1.5 kg	1-SPLE/1.5KG-1

Hottinger Brüel & Kjaer GmbH

Im Tiefen See 45 · 64293 Darmstadt · Germany
 Tel. +49 6151 803-0 · Fax +49 6151 803-9100
 www.hbkworld.com · info@hbkworl.com

Subject to modifications. All product descriptions are for general information only. They are not to be understood as a guarantee of quality or durability.